

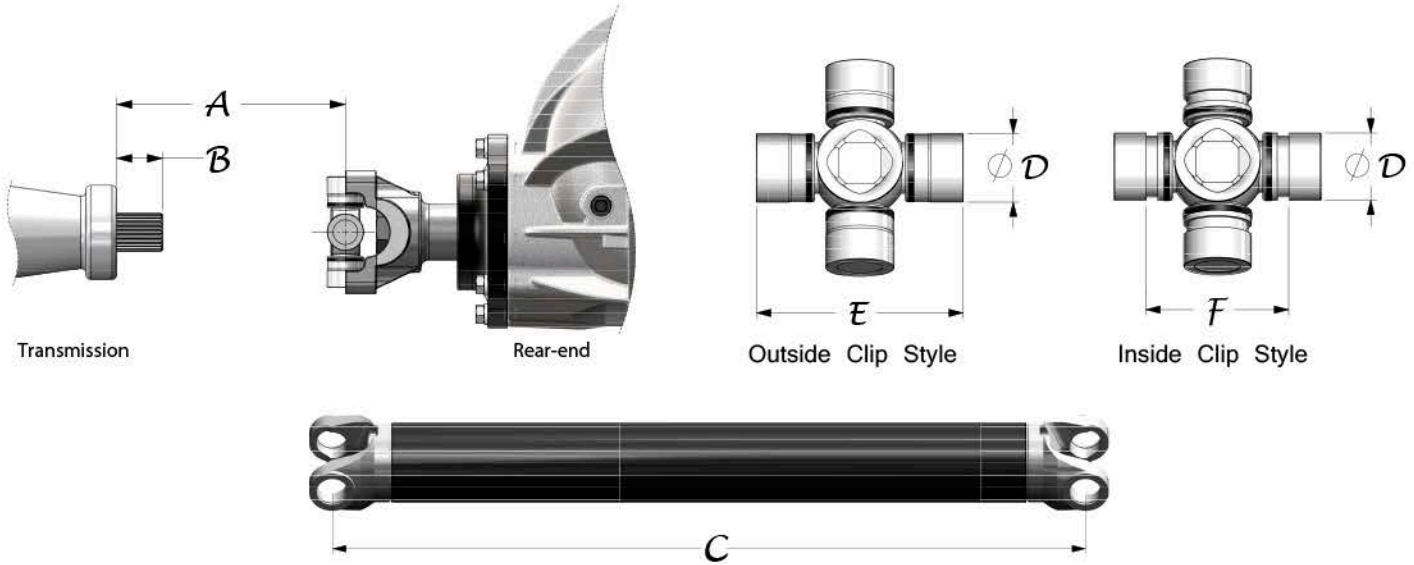
BILLING ADDRESS		
Name:		
Phone:		
Address		
City	State	Zip

SHIPPING ADDRESS		
Name:		
Phone:		
Address		
City	State	Zip

 (same as billing)

ORDER DETAILS	
Package #	
Transmission:	
Output Shaft Spline:	
<input type="checkbox"/> Bushing	<input type="checkbox"/> Roller bearing

Measurement References



Ordering Driveshaft only (no trans. yoke)	
D	_____
E (Outside Clip Style)	_____
F (Inside Clip Style)	_____
C	_____

Ordering Driveshaft with Strange supplied trans. yoke	
A	_____
B	_____
D	_____
E	_____
I (LENCO Trans.)	_____
J (LENCO Trans.)	_____

Conversion U-joints

- All Strange driveshafts have 1350 series weld ends installed unless otherwise specified ($D=1.1875$ $E=3.625$)
- All conversion u-joints are "cross-drilled" style

Conversion U-joint	D	E
U1645*	1.125	3.625
U1646	1.0625	3.217
U1647	1.0625	3.625
U1648	1.125	3.625

*U1645 uses inside clips $F=2.645$

LENCO Trans. Measurement References

